



# HERMES

## Subsea Basket 13



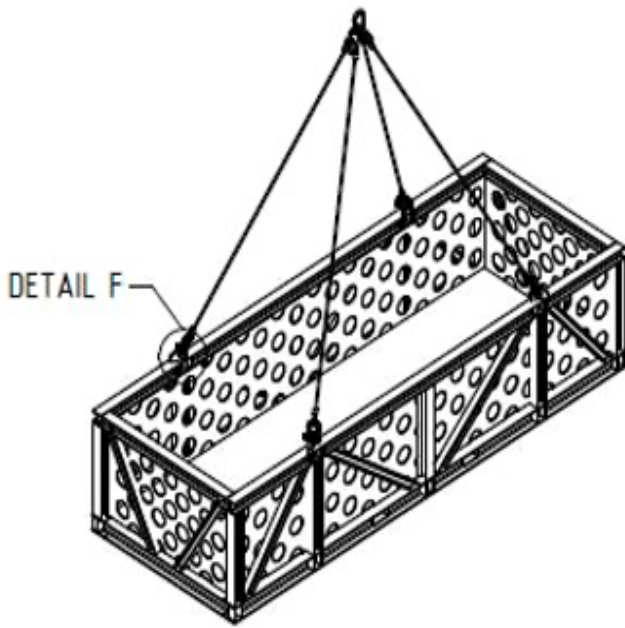
<b>Dimension Outside:</b>	<b>L 6540 mm W 2380 mm H 1685 mm</b>
<b>Dimension Inside:</b>	<b>L 6260 mm W 2100 mm H 1320 mm</b>
<b>Tara Weight:</b>	<b>4.800 KG</b>
<b>Payload Weight:</b>	<b>20.000 KG</b>
<b>Max Gross Weight:</b>	<b>24.800 KG</b>
<b>Lifting / Transport:</b>	<b>2x2 Part wire Sling Set</b>
<b>Certification Class:</b>	<b>DNV 2-7-3</b>
<b>Certificate- / Serial no.:</b>	<b>RED-267241 / 22-C-651.4</b>
<b>Hermes Unit no.:</b>	<b>Subsea Basket 13</b>
<b>Fabrication Year:</b>	<b>2022</b>

Galvanized grating floor  
Safety Net  
D-Rings for lashing  
ROV and Diver friendly  
4 point lifting arrangement  
Lashing point on inside of the subsea basket  
2 wire rope slings connected by Masterlink

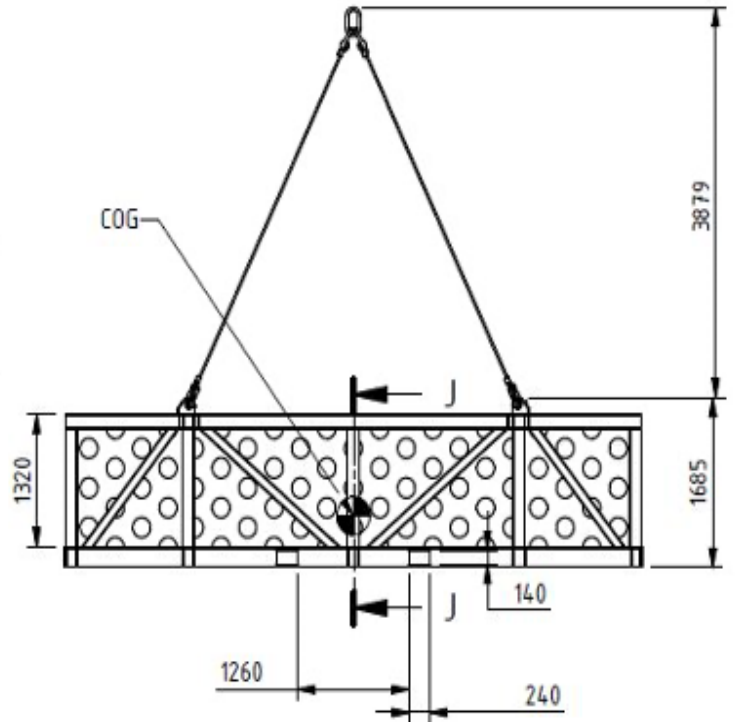


# HERMES

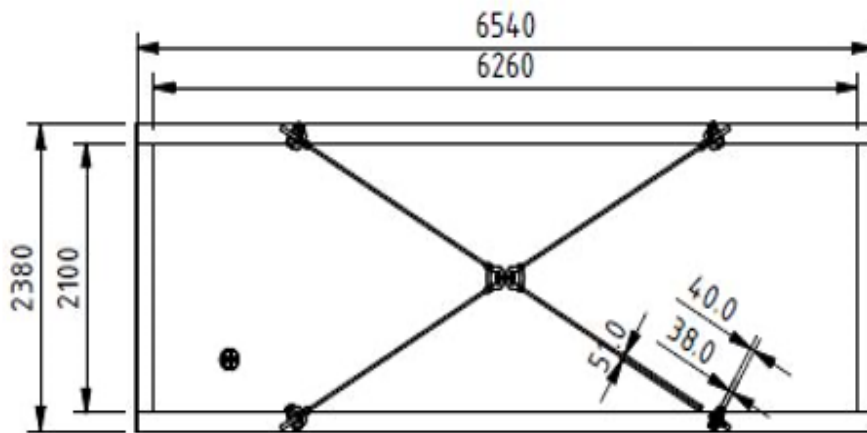
## Subsea Basket 13 – Details



ISO VIEW



SIDE VIEW



TOP VIEW